

## CERTIFICATION



HACCP International



ISO9001

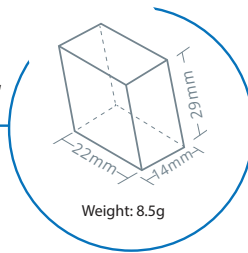
# ICE MATE

by  HOSHIZAKI

## SRM-650AB-14-B-801SA

### ICE MAKER

#### HALF DICE



ICEMATE is committed to bringing high-efficiency / energy-saving, and high quality ice-making product to people who have dreams and desire to create their own business with the best scientific technology and manufacturing technology.

### KEY FEATURES

#### SAFETY AND HYGIENE ASSURED ICE MACHINE

##### AUTO-CLEANING



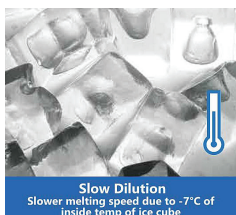
Timely maintenance of water system can extend life of equipment.

##### PURE ICE



Overflow self-cleaning function, ensuring ice hygiene

IoT



**Slow Dilution**  
Slower melting speed due to -7°C of inside temp of ice cube

**Slow melt Dilution**



#### Powerful Ice Making

Designed for commercial Ice Machine

High-speed Compressor  
Sufficient heat production  
Ice making cycle about 12.0 ~ 19.5min  
Ensuring sufficient ice production in 24 hours

**Powerful Ice Making**



#### Energy & Water Saving, Quiet Operation

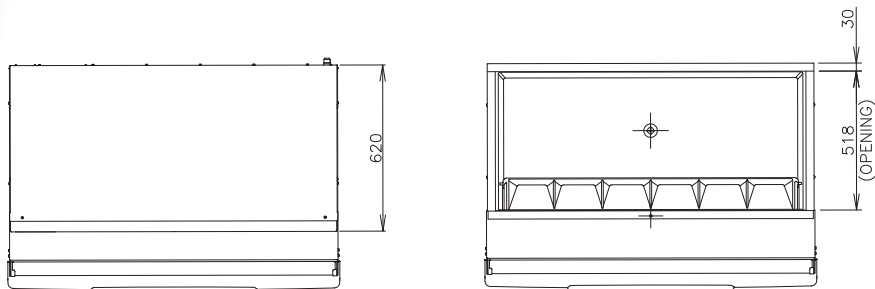
Scientific water cycle system  
The water circulation system reasonably utilize water and reduce waste

Low energy consumption  
Long life compressor  
Low energy consumption during operation

Noise Reduction  
Stable compressor operation  
Machine runs quietly and smoothly

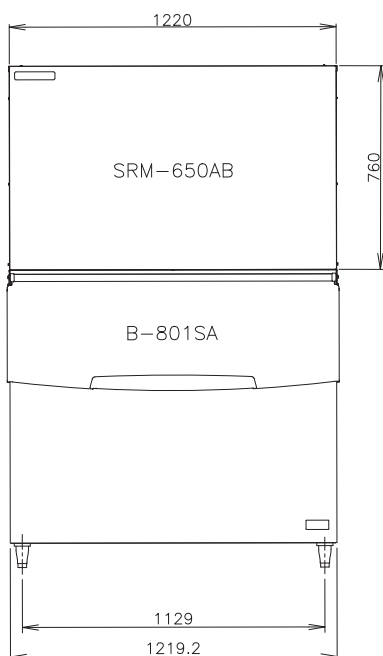
**Energy & Water Saving, Quiet Operation**

**BIN TOP VIEW**

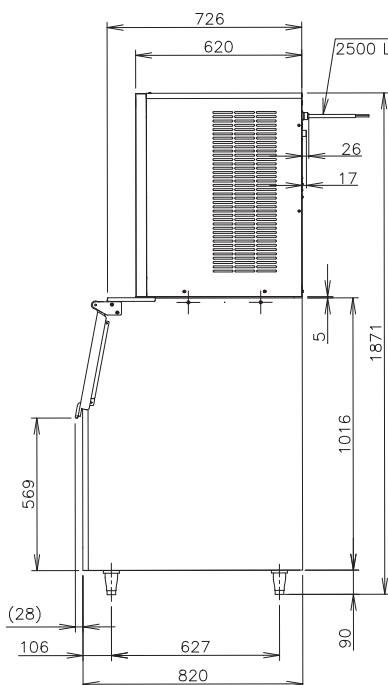


BIN TOP VIEW

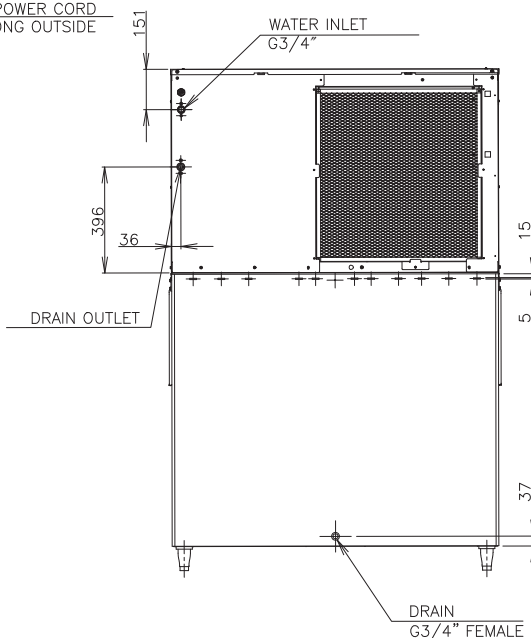
**FRONT SIDE**



**RIGHT SIDE**



**BACK SIDE**



**SPECIFICATIONS**

Ice Dimensions	Half Dice: 29mm*14mm*22mm		Ice water consumption per 24H	(AT32°C / WT21°C)	500L(1.0L/kg ice)
Outside Dimensions	1220mm(W) x 820mm(D) x 1871(~1901)mm(H)		Ice Production Freeze Cycle Time	(AT21°C / WT15°C)	Approx:14.5min
Package Dimensions	Ice Maker: Pallet + Carton:1325mm(W) x 720mm(D) x 945mm(H) Storage Bin: Pallet + Carton:1239mm(W) x 916mm(D) x 1142mm(H)		Ice Production per Cycle	(AT21°C / WT15°C)	Approx:6.14kg/754pcs
Weight (Net / Gross)	Ice Maker:	120kg/144kg			
	Storage Bin:	64kg/86kg			
Amperage/Starting Amperage	11.4A/85A				
Electrical Consumption	(AT32°C / WT21°C)	2334W			
Refrigerant Charge	R404A/1300g				
Ice Storage Capacity	Maximum: 348kg				
Ice Production per 24H	(AT10°C / WT10°C)	Approx:690kg			
	(AT21°C / WT15°C)	Approx:607kg			
	(AT32°C / WT21°C)	Approx:492kg			
<b>OPERATING CONDITIONS</b>					
Voltage Range			198-242V		
Ambient Temperature			5-38°C		
Water Supply Temperature			5-32°C		
Water Supply Pressure			0.07-0.55MPa(0.7-5.5bar)		
Supply Voltage			1 Phase 220V 50Hz		



**HOSHIZAKI**

**HOSHIZAKI SINGAPORE PTE. LTD.**

18 Boon Lay Way #01-102 Tradehub21, 609966

TEL 6225 2612 | FAX 6225 3219 | www.hoshizaki.com.sg